

**Garant**

## **GARANT ERCO**

23 7501

### **BEDIENUNGSANLEITUNG**

User manual | Manual de instrucciones |  
Manuel d'utilisation | Manuale ad'uso |



DE

EN

FR

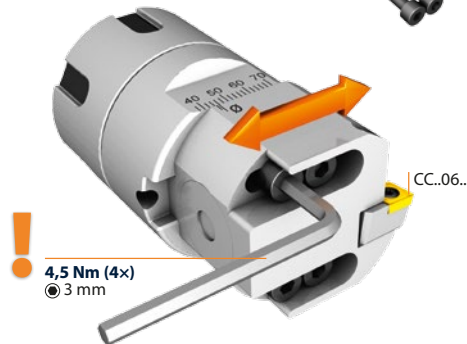
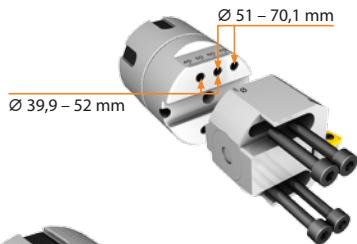
IT

ES

Grobeinstellung / Coarse adjustment / Réglage grossier / Regolazione / Ajuste aproximado

Ø 39,9 mm – Ø 70,1 mm:

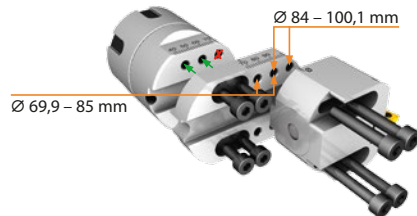
$V_{\max} = 450 \text{ m/min}$



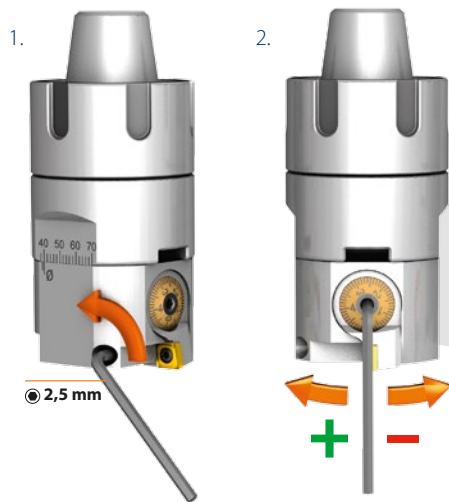
Grobeinstellung / Coarse adjustment / Réglage grossier / Regolazione / Ajuste aproximado

Ø 69,9 mm – Ø 100,1 mm:

$V_{\max} = 250 \text{ m/min}$



Feineinstellung / Fine adjustment / Réglage fin /  
Registrazione micrometrica / Ajuste preciso



Skala / Scale / Vernier /  
Scala / Escala /

Ein Teilstrich entspricht einer  
Änderung des  $\varnothing$  um 0,01 mm

One graduation corresponds to  
a change of  $\varnothing$  0.01 mm

Une graduation correspond à une  
modification du  $\varnothing$  de 0,01 mm

Una tacca corrisponde a un  
cambiamento del  $\varnothing$  di 0,01 mm

Una marca de graduación equivale  
a Variación del  $\varnothing$  en 0,01 mm

**Tipp / Tip / Conseil /  
Suggerimento /  
Consejo**





**Garant**

## **BUILT FOR WORK: BUILT LIKE YOU.**

Do you set yourself high standards at work? We have just the tool for you: more than 45,000 certified system tools in the finest quality for every job around the place. Discover your tool:

[www.garant-tools.com](http://www.garant-tools.com)



**Industrial Tooling and Equipment by Hoffmann Group**

**Garant**

Hoffmann Supply Chain GmbH  
Poststraße 15, 90471 Nuremberg, Germany  
[www.hoffmann-group.com](http://www.hoffmann-group.com)