

DATA SHEET FOR GRINDING WHEEL RECOMMENDATION

for precision grinding tools of aluminium oxide / SiC (silicon carbide) and CBN / diamond

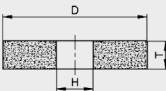
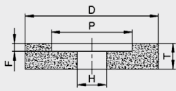
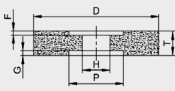
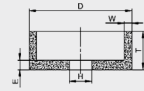
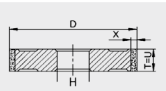
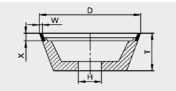
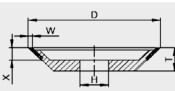
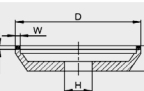
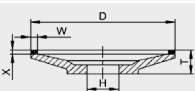
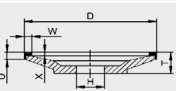
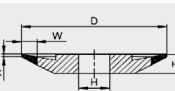
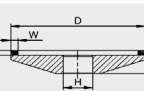


Fields highlighted in GREY are mandatory fields for generating a quotation

| | |
|------------------------|--|
| Customer: | |
| Contact person: | |

Received by:
on:

Data on the grinding wheel

| | | | | |
|-------------------------------|---|--|--|--|
| Form (e.g.): |  Form 1 |  Form 5 |  Form 7 |  Form 6 |
| |  Form 1A1 |  Form 11V9 |  Form 12V9 |  Form 12A2D |
| |  Form 12A2F |  Form 12C2F |  Form 4BT9 |  Form 4A2 Other form/sketch |
| Dimensions (e.g.: D × T × H): | | | | |
| Coating size or recess: | | | | |

Current specification:

Current manufacturer:

Max/ current circumferential speed:

Are you satisfied with your present grinding wheel?

| | | |
|--------------|-------------------|-----------------------------|
| | Yes | No |
| Too coarse → | Surface too rough | Profile radius not achieved |
| Too hard → | Becomes clogged | Becomes burnt |
| Too soft → | Loses its form | Excessive wear |

Grinding process

| | | | |
|---------------------------------|------------------|---------------------|---------------|
| Grinding application: | | | |
| Bench grinding wheel → | Catalogue item | Profile grinding | Deep grinding |
| Flat → | Surface grinding | Recess grinding | Centreless |
| External cylindrical grinding → | between centres | | |
| Internal cylindrical grinding | | | |
| Tool → | Repair grinding | Production grinding | |
| Cooling lubricant: | Yes | No | |
| Other process → | | | |

DATA SHEET FOR GRINDING WHEEL RECOMMENDATION

for precision grinding tools of
aluminium oxide / SiC (silicon carbide) and CBN / diamond

Workpiece

Workpiece designation:

| | | | |
|--------------------|----------------------|--------------|---------|
| Material: | | | |
| Material condition | Soft Hardened HRC | Other: or | HV |
| Surface | Ra (µm) | or | Rz (µm) |

Remarks / photos / drawings / freehand sketches etc.